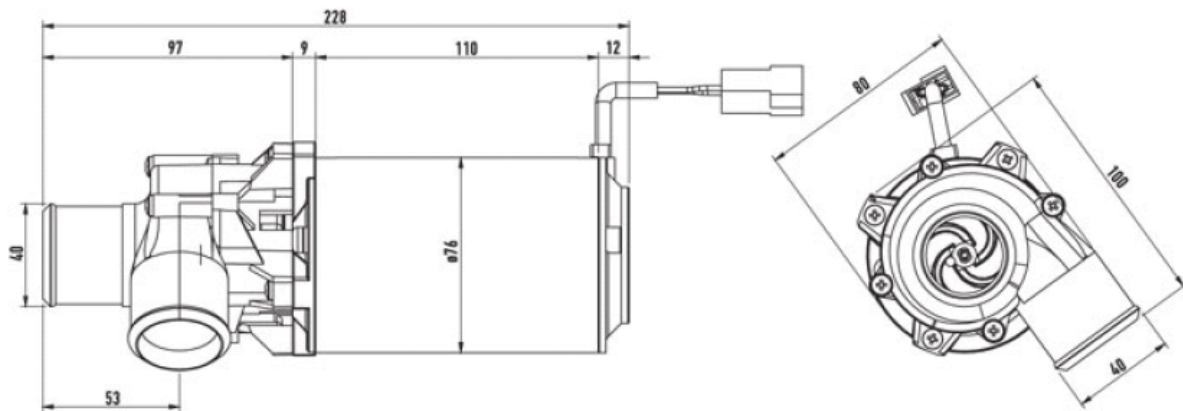


Part No: ACC0027

## Technical Dimensions



## Technical Details

Nominal Voltage:	24V
Nominal Current:	2.5A
Nominal Power:	100W
Pressure:	0.2 Bar
Flow Rate:	4500 lt/h
Weight:	1.9 Kg